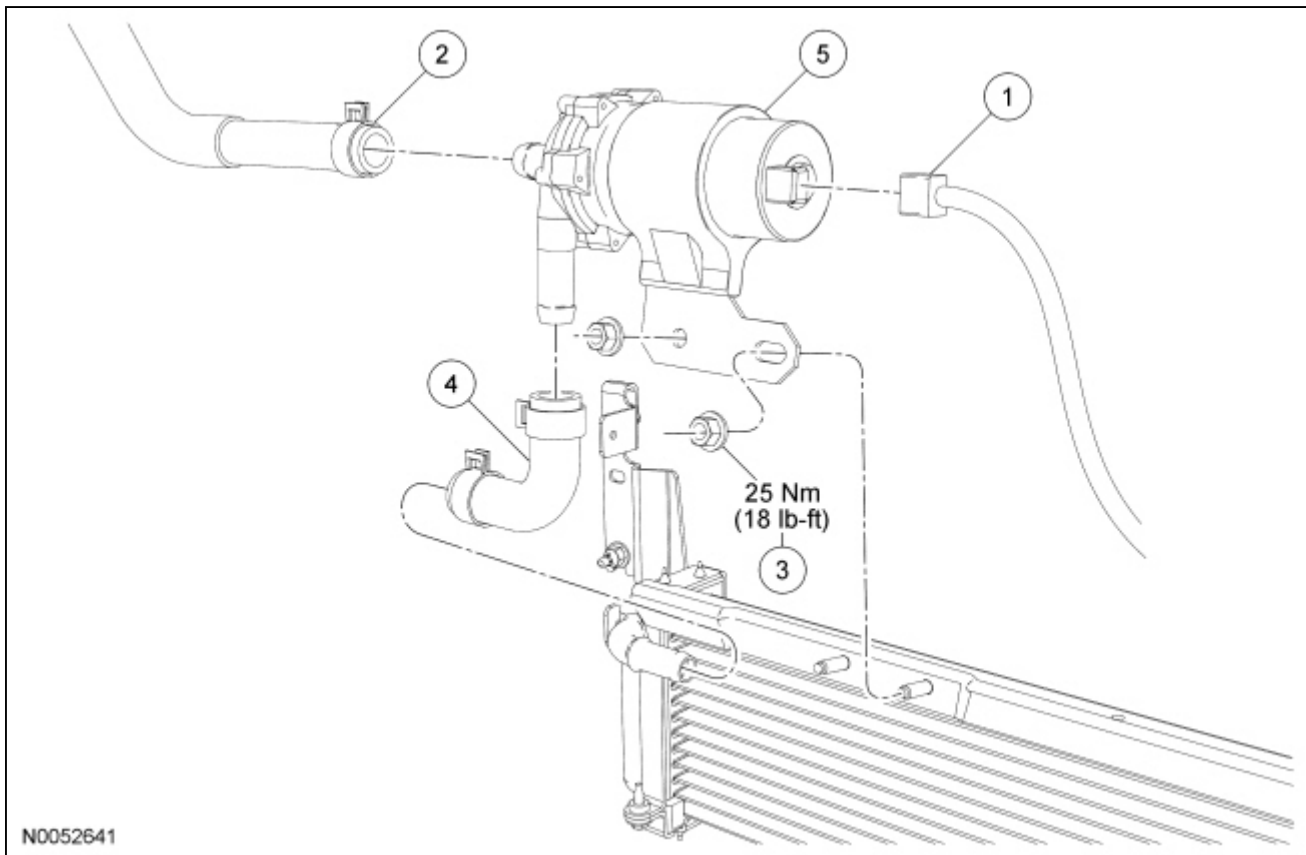


Coolant Pump



Item	Part Number	Description
1	14A464	Coolant pump electrical connector
2	8D029	Coolant pump-to-degas bottle hose
3	N621939	Coolant pump nut (2 required)
4	8K236	Coolant pump-to-radiator hose
5	8K232	Coolant pump

Removal and Installation

1. Drain the Supercharger (SC) cooling system. For additional information, refer to [Supercharger Cooling System Draining, Filling and Bleeding](#) in this section.
2. Remove the front bumper cover. For additional information, refer to [Section 501-19](#).
3. Disconnect the coolant pump electrical connector.
4. Disconnect the coolant pump-to-degas bottle hose from the coolant pump and position aside.
5. Disconnect the coolant pump-to-radiator hose from the radiator.
6. Remove the 2 coolant pump nuts and the coolant pump.
 - To install, tighten to 25 Nm (18 lb-ft).
7. To install, reverse the removal procedure.
8. Fill and bleed the [SC](#) cooling system. For additional information, refer to [Supercharger Cooling System](#)

[Draining, Filling and Bleeding](#) in this section.
